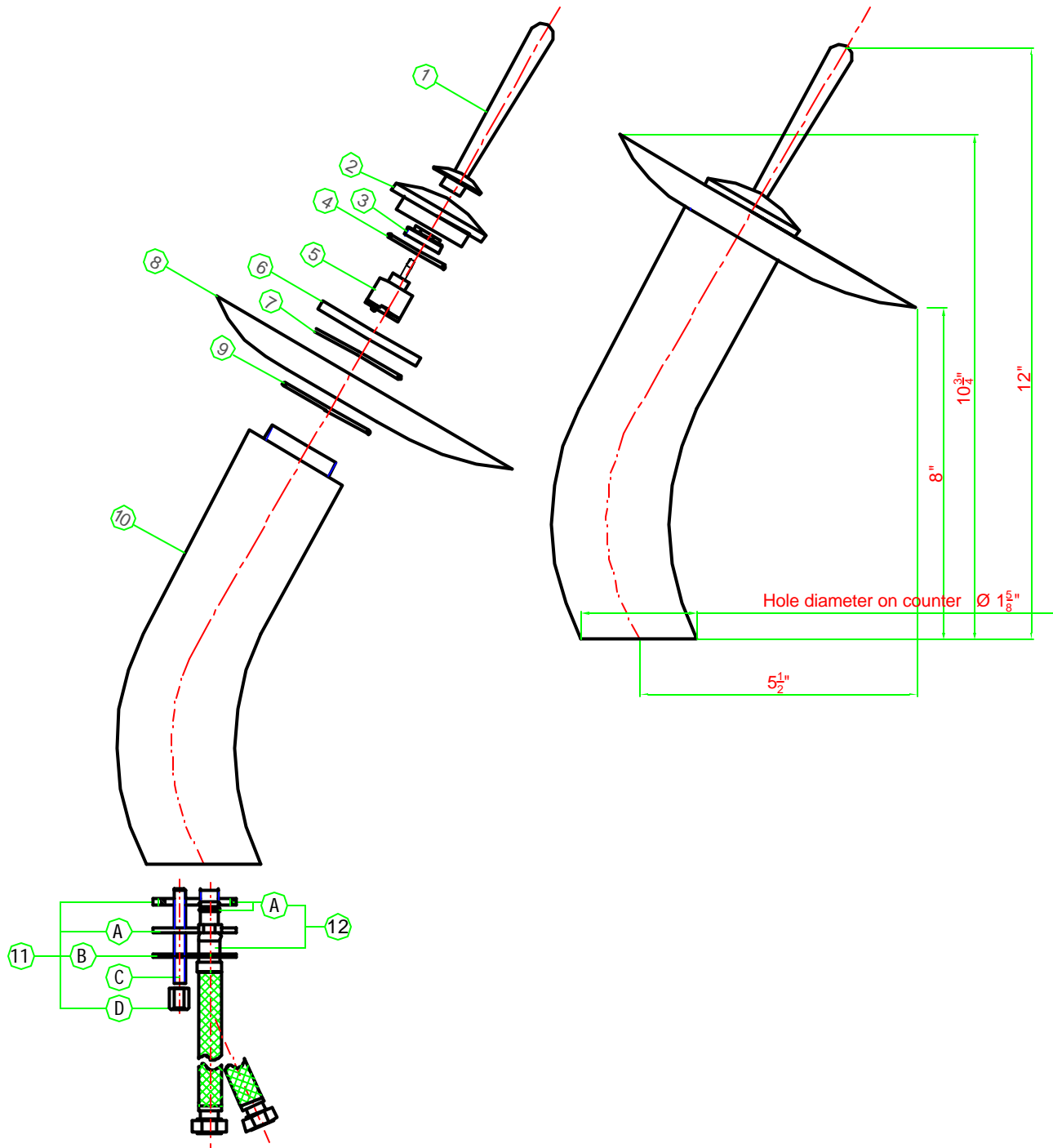


FD-1001  
www.FaucetDesigns.com



12A	O-RING	4
12	KNITTED PIPE	2
11D	NUT	2
11C	SCREW	2
11B	BRASS GASKET	1
11A	RUBBER GASKET	1
11	FIXING SET	1
10	FAUCET BODY	1
9	O-RING	1
8	7" GLASS DISH	1
7	O-RING	1
6	GLASS DISK FIXING RING	1
5	CERAMIC CARTRIDGE	1
4	O-RING	1
3	CARTRIDGE CLAMP	1
2	HANDLE COVER	1
1	LEVER HANDLE	1
<b>NO</b>	<b>PART NAME</b>	<b>PCS</b>