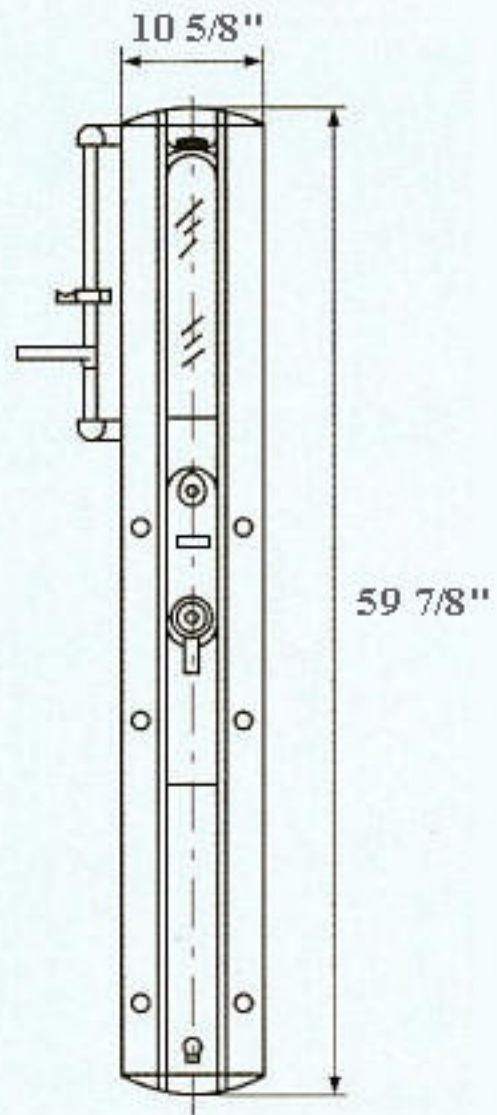
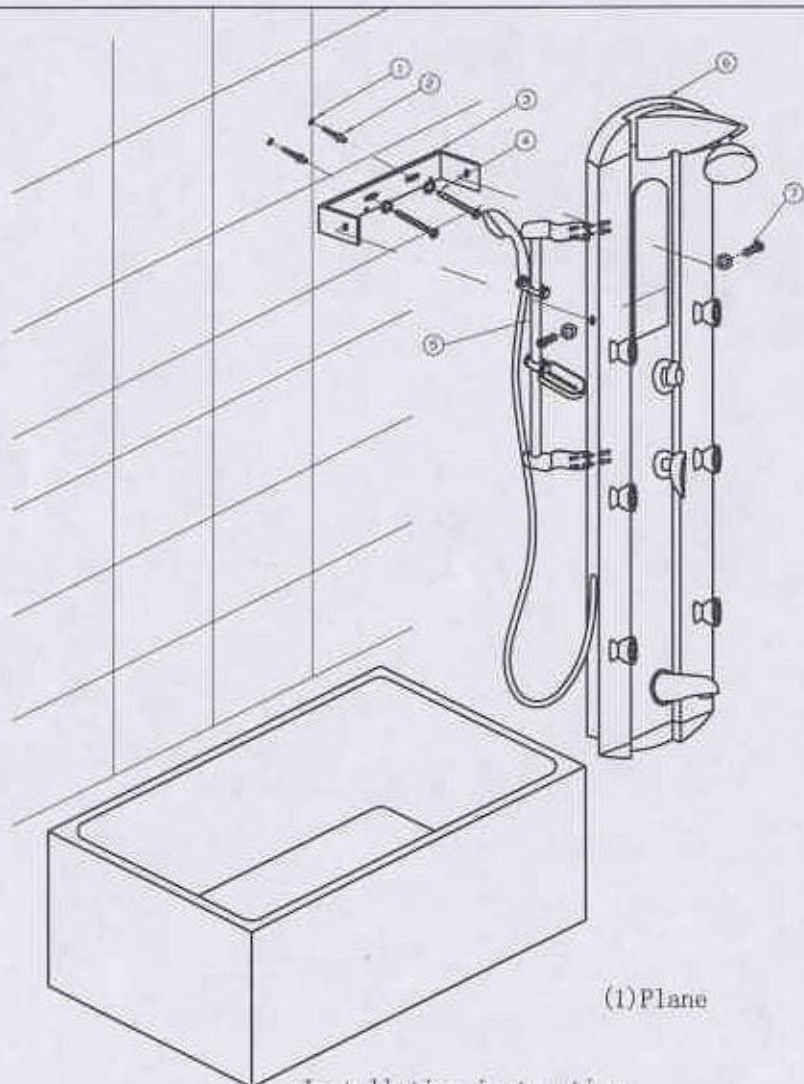


FD-SP525



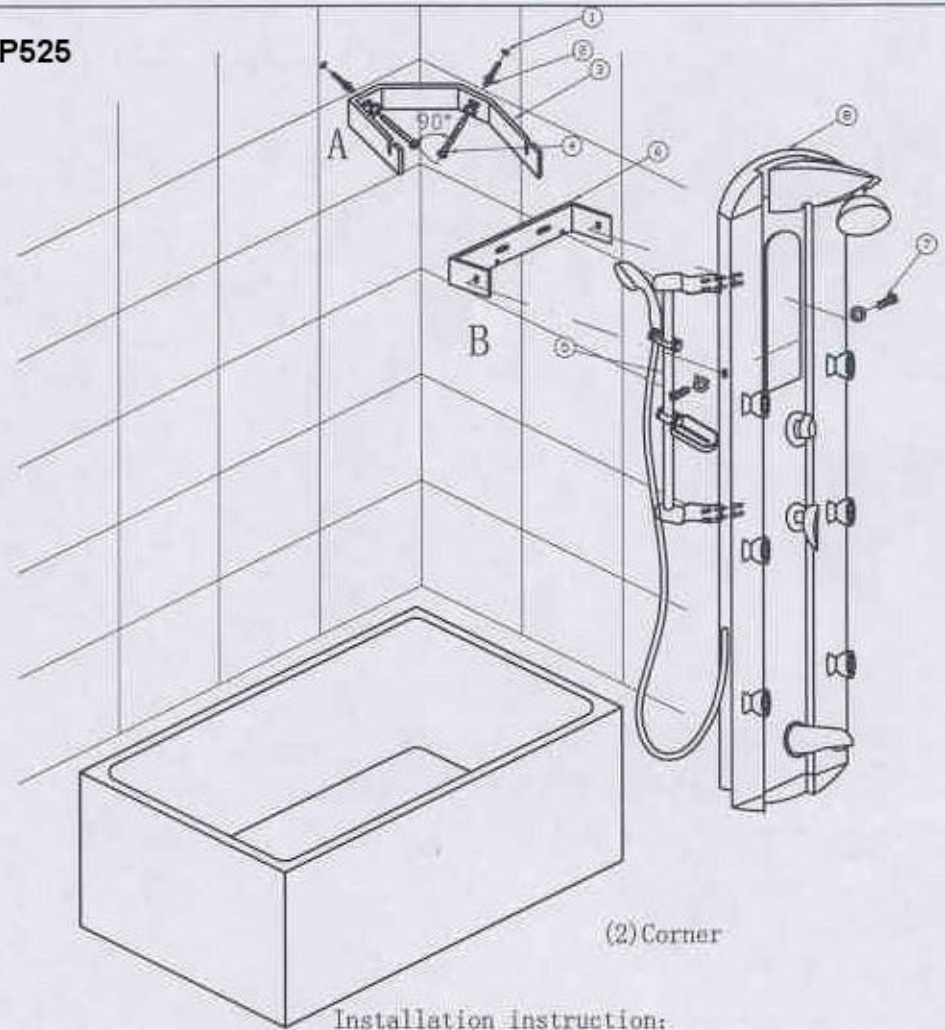
FD-SP525



(1) Plane

Installation instruction:

- 1) Dig two holes in proper position on the wall ① $\varnothing 6$;
- 2) Put the plastic plug ② into the hole $\varnothing 7$;
- 3) Install the stainless steel bracket ③ by screw ;
- 4) Install the screws ④;
- 5) Put the sliding rail set ⑤ on the shower panel ⑥;
- 6) Put the shower panel ⑥ on the proper position of the stainless steel bracket ③;
- 7) Install the screw and fix it ⑦;
- 8) Connect Hot and Cold water pipes from the wall with Panel's 2 flexible hoses (1/2" FIP NPT)



(2) Corner

Installation instruction:

A

- 1) Dig two holes in proper position on the wall ① $\varnothing 6$;
- 2) Put the plastic plug ② into the hole $\varnothing 7$;
- 3) Install the stainless steel corner bracket ③ by screw ;
- 4) Install the screws ④;

B

- 5) Put the sliding rail set ⑤ on the shower panel ⑥;
- 6) Put the stainless steel bracket ⑥ on the shower panel;
- 7) Install the screw ⑦ and fix it ;
- 8) Hang B on A ;
- 9) Connect Hot and Cold water pipes from the wall with Panel's 2 flexible hoses (1/2" FIP NPT)